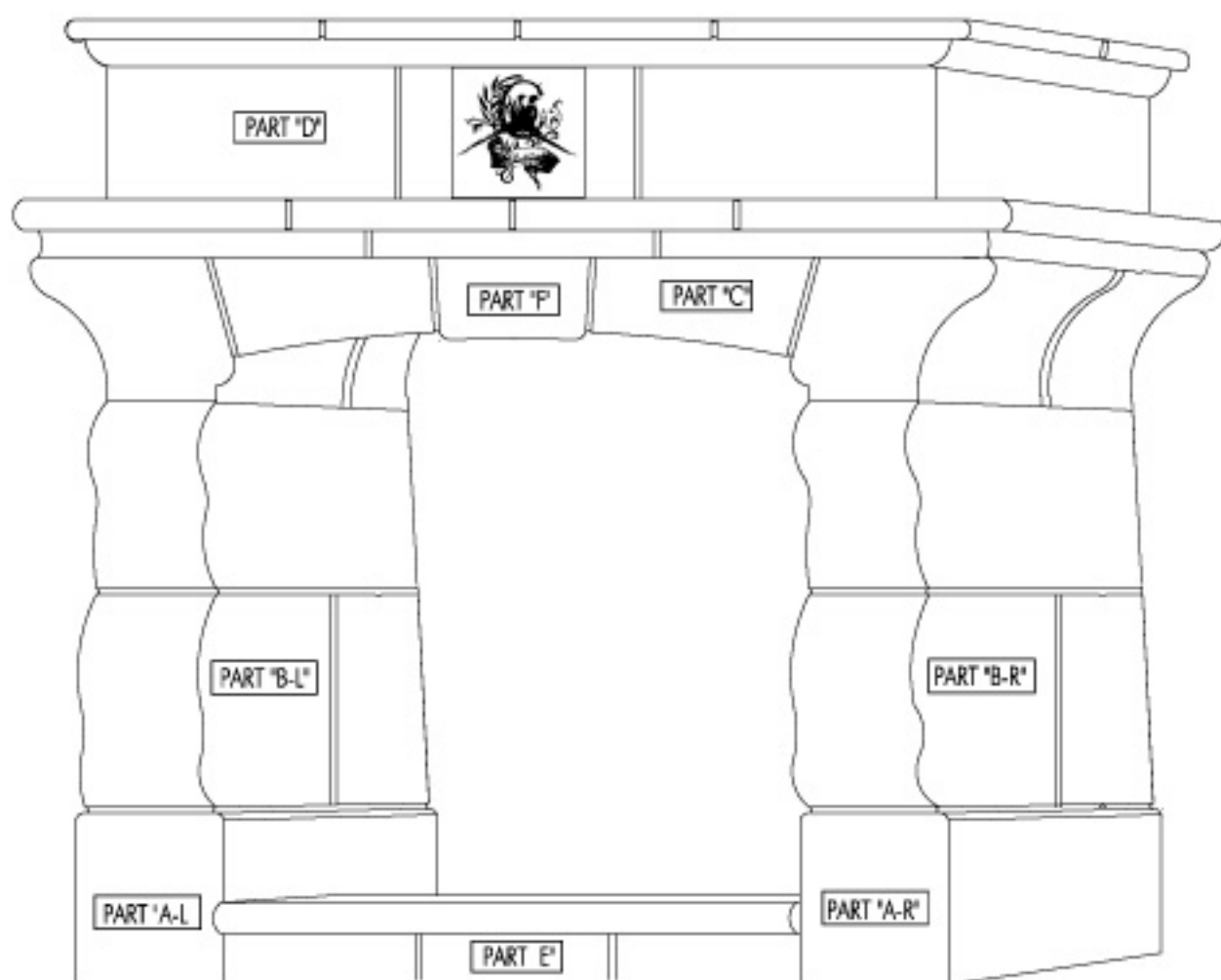
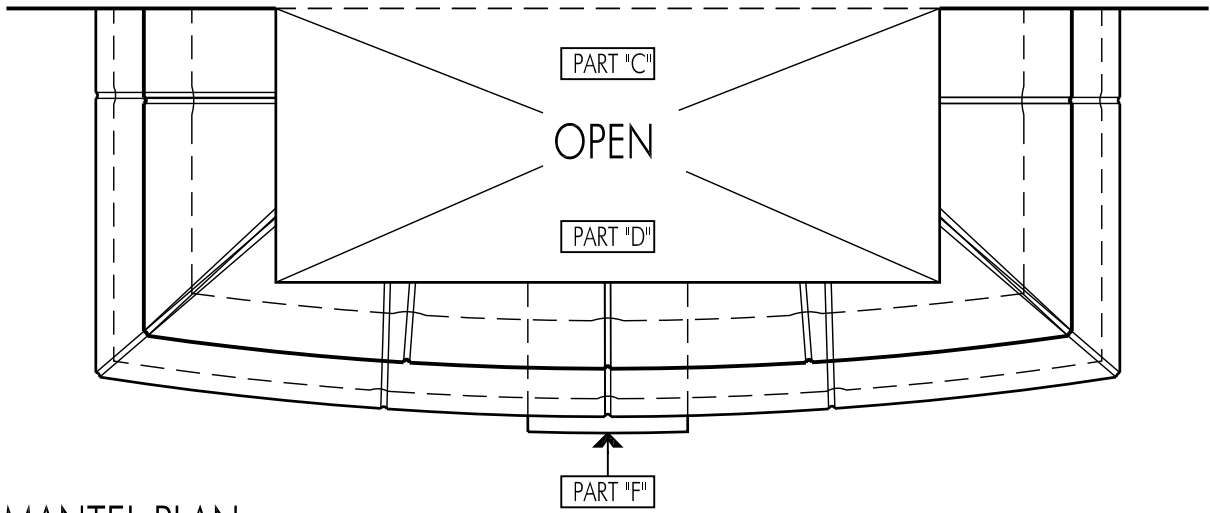


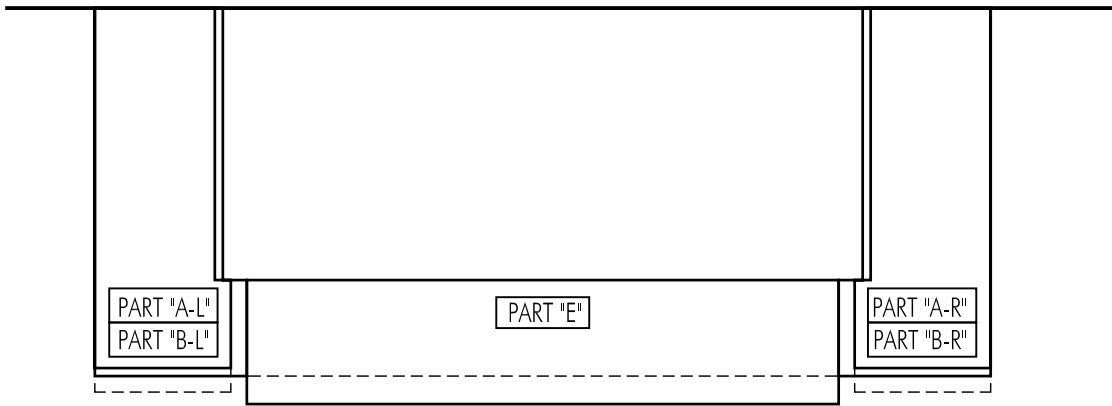
# SANDSTONE FIREPLACE SURROUND TYPE #1

PENTHOUSE LIVING AREA FIREPLACES.  
UNITS JJ #304, KK #305 & LL #401.  
(3 TOTAL SURROUNDS)

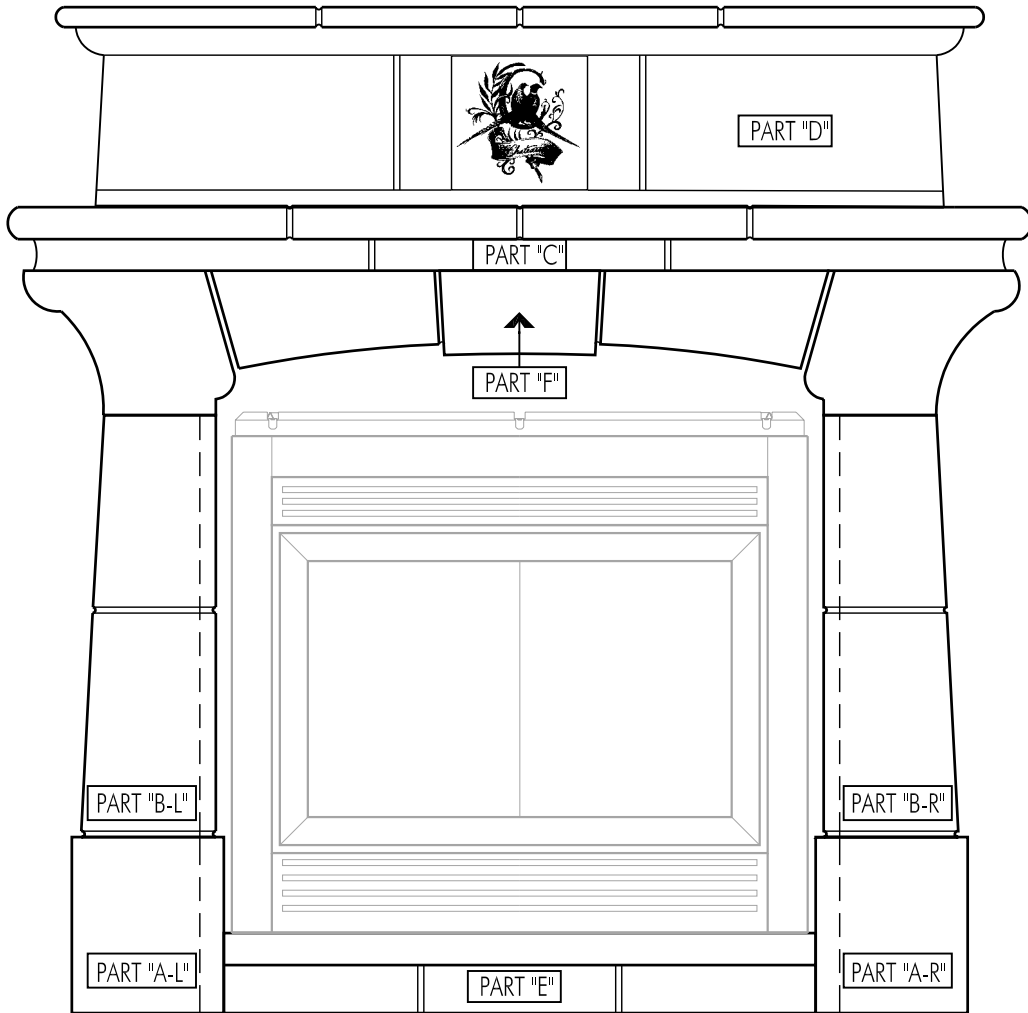




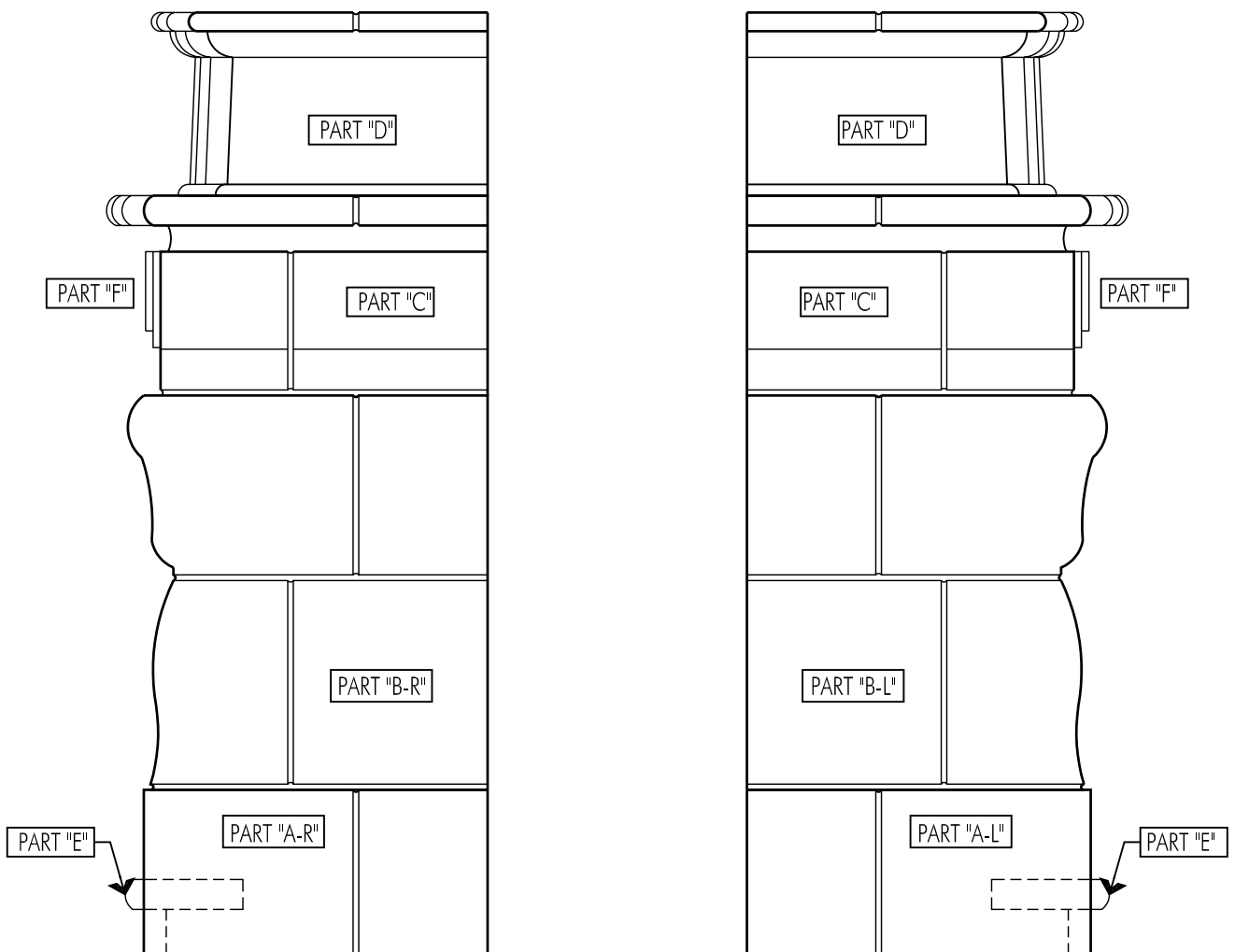
MANTEL PLAN



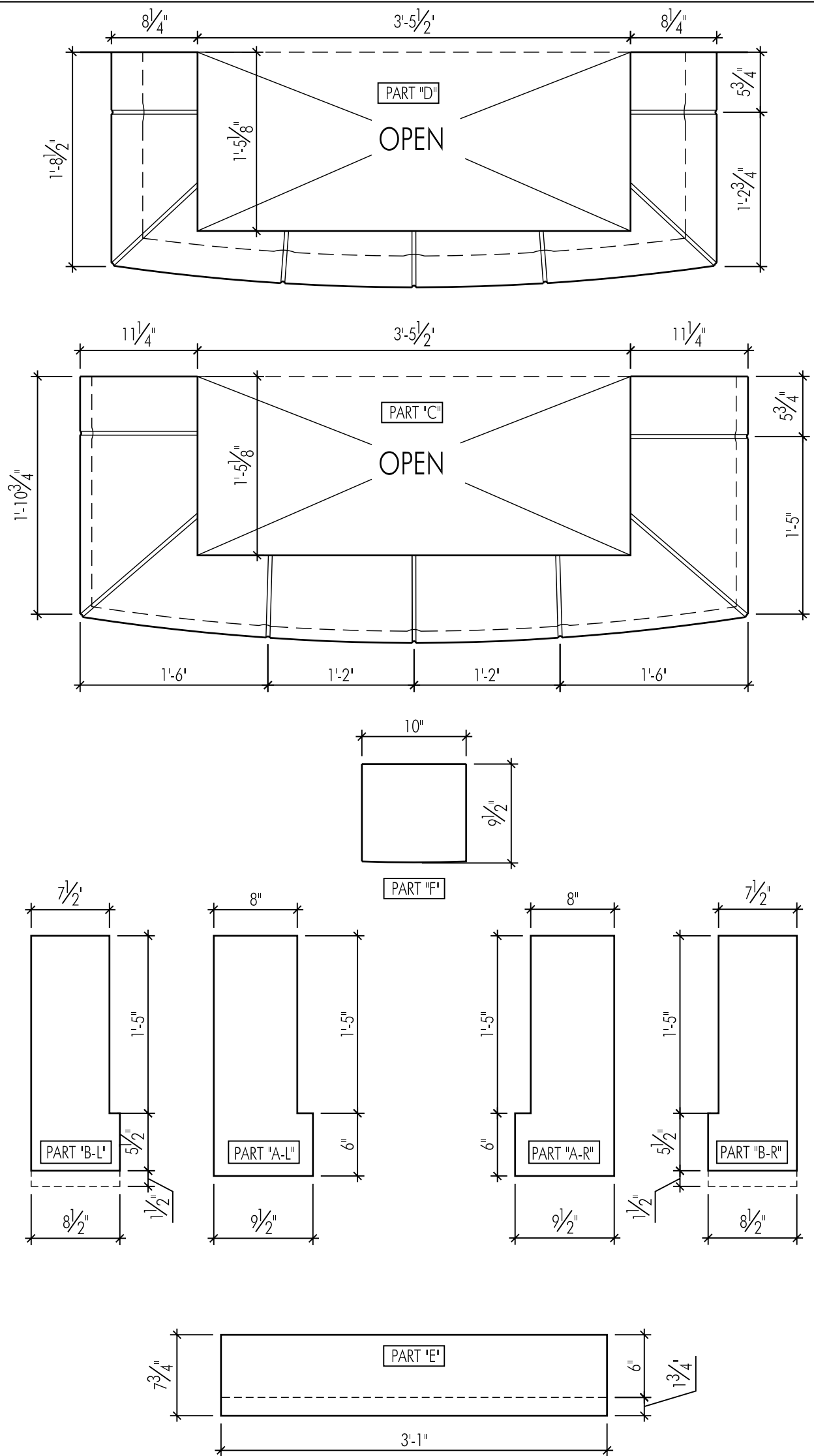
BASE AND LOWER PLAN



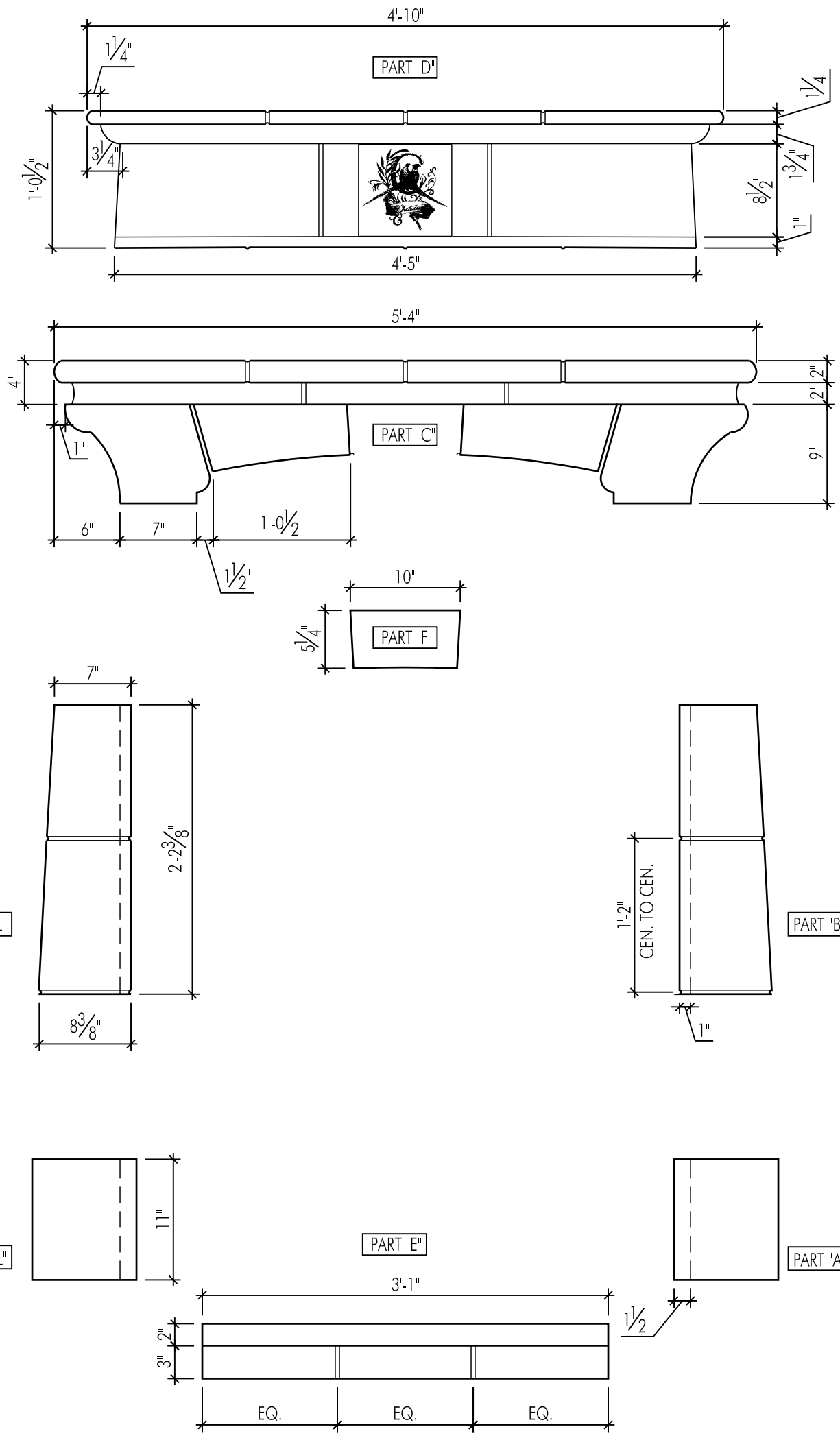
FRONT ELEVATION



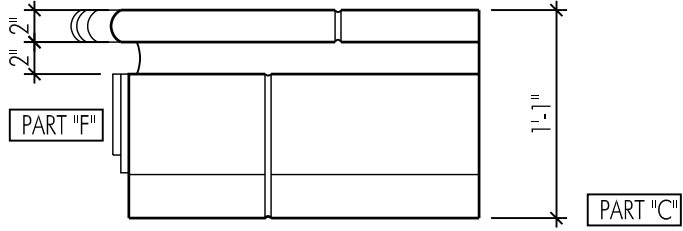
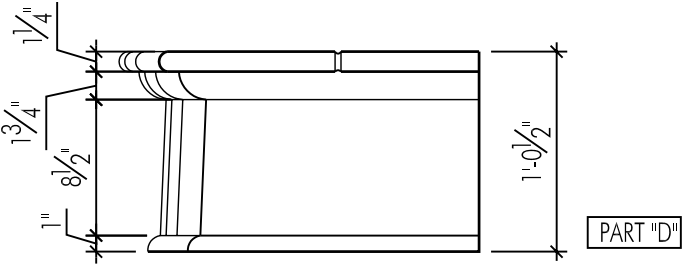
LEFT AND RIGHT SIDE ELEVATIONS



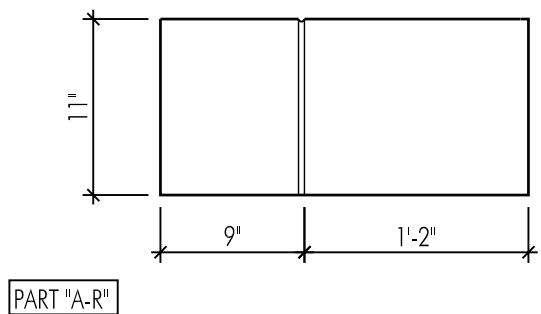
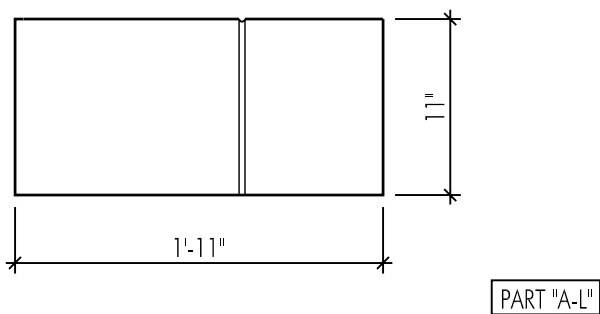
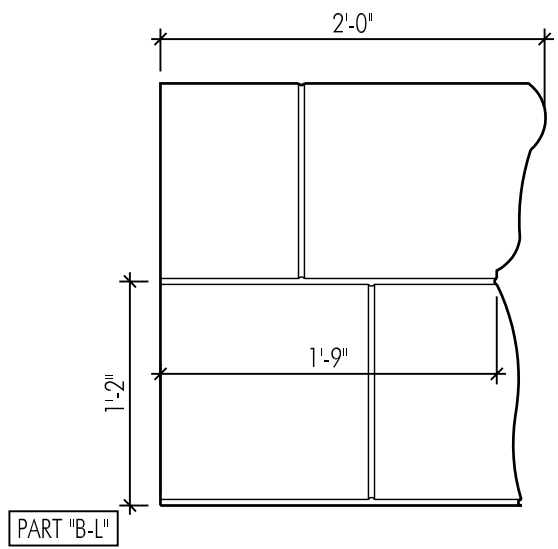
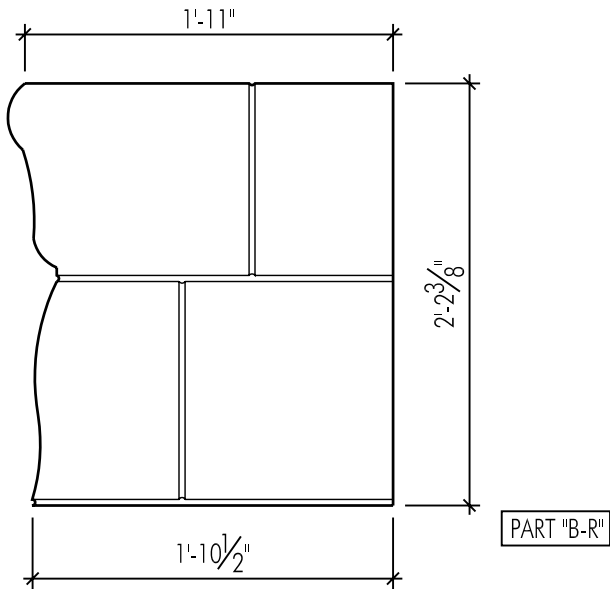
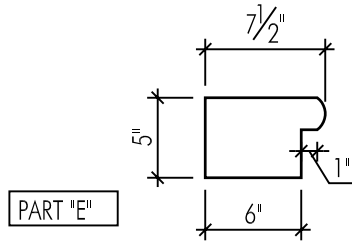
EXPLODED PLAN VIEWS



EXPLODED FRONT ELEVATION VIEWS



OPPOSITE SIDES OF PIECES "C" AND "D" ARE IDENTICAL



EXPLODED SIDE ELEVATIONS VIEWS